

# CO-100B mass flow meter

## Technical data

The mass flow meter type **CO-100B** offers a high precision measurement device for bulk solids combined with easy installation procedure in existing material flows.

- Industrial design with a minimum of moving parts, ensure maximum reliability with easy maintenance.
- Designed for easy installation with lowest distance between inlet and outlet flanges.
- Only cables for mains power and transducer/tachometer connection required to instrumentation.
- Optional stainless-steel design and turbines for abrasive materials available.

Advanced Flow Controller with functions such as: Flow indication and Totalising. Optional controller with PID regulation and batch-out functions available.



## Capacity

Capacity	Min 5.000 kg/h Max 100.000 kg/h ~ 80.000 l/h
Bulk density	Min. 0,3 t/m <sup>3</sup>
Piece size	Max 10 mm
Material temperature	Max 100 °C

\* Limits are for guidance and depend on material specifications.

## Technical data

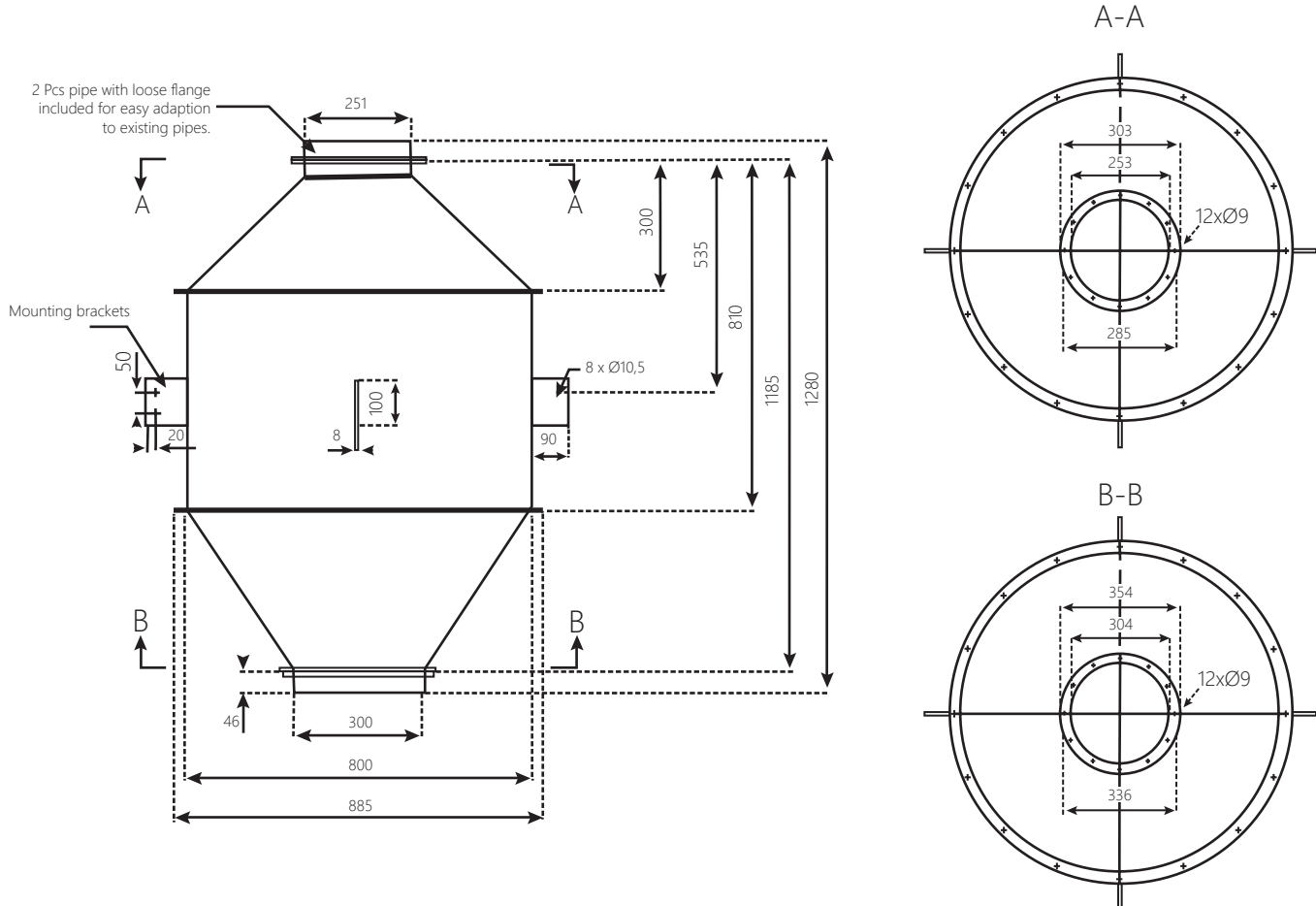
Ambient temp.	0-40 °C
Material inlet/outlet	250/350 mm
Accuracy	0,5-1,0 % (depending on capacity and/or material.)
Repeatability	0,1 %
Drive	3PH 220/380 V, 3,0 kW, IP54
Load sensor	S-E-G Torque transducer type ON4-, IP67

## Additional

Motor Control	By frequency controller
Design	Standard Blue industrial coating Optional Stainless steel SIS 2333 (AISI 304)
Weight	Aprox. 130 kg

## Dimensions

All dimensions are in mm.



### Designations

Flow meter	CO-100B
Load sensors	ON4-60
Frequency controller	CON-220
Controller	Model T3650 (Spec. T42-650E) Model A2-F12 (Spec. F44-F12E)

### Options

- Turbine for abrasive materials
- High temperature version
- Design in Stainless Steel SIS2333 (AISI304)
- By-pass tube