

SYSTEM A2

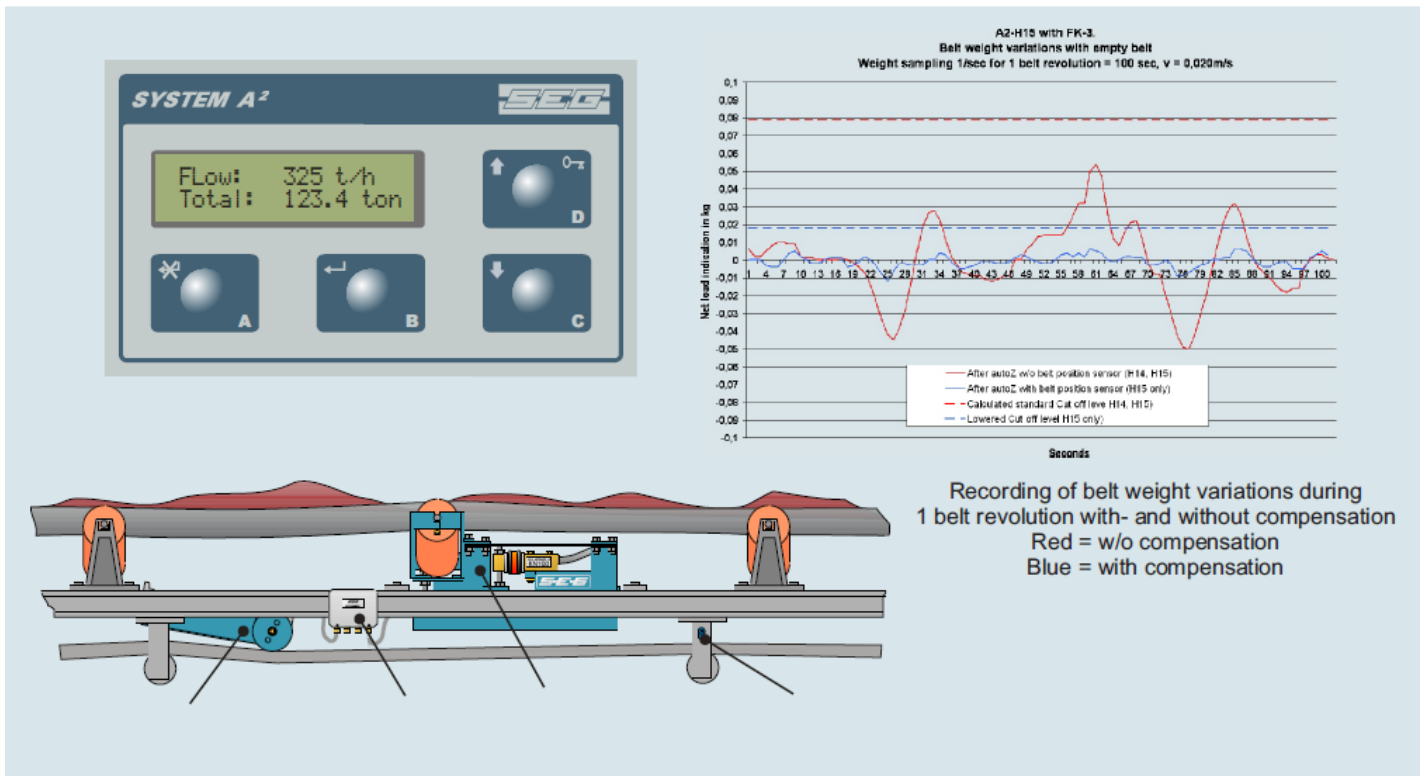
Model H15

SYSTEM A2 - MODEL H15

BELT SCALE CONTROLLER WITH BELT PROFILE COMPENSATION

Model H15 is a new belt scale controller in the S-E-G A2 series, with belt profile compensation of the zero point (empty belt). With a belt position sensor installed, a fixed belt position can be detected each lap and the belt divided in sections, each having an empty belt weigh value recorded.

The recorded weight values and positions can then be used to eliminate the influence of uneven belts, belt splices etc. to improve accuracy. Materials and flowrates that previously has been impossible, or resulted in bad accuracy due to low flowrates or low density, can now be weighed with high accuracy.



ADVANTAGES

- Intelligent tare out with belt position sensor makes belt weighing of very light materials, or very long conveyors possible with high accuracy.
- Indication of Total, SubTotal and Flow rate
- Stand alone or Remote operation
- Three separate internal totalisers
- Printout
- Easy to use start-up and recalibration procedures
- Optional Fieldbus connection; Profibus, CANopen, Devicenet etc.

FEATURES

- 24vdc or 230vac power supply
- 4-20mA isolated output (Flow rate)
- RS-485 serial port, Modbus (RTU, ASCII)
- RS-232 (connection for printer only)
- 2x16 character text display with backlight
- 2 Relay Outputs for External Totaliser, Belt running etc.
- Data permanently stored in Flash memory
- RTC (Real-Time Clock)

TECHNICAL SPECIFICATIONS

Design

Frontpanel: Stainless steel frame with integrated keypad.
Protection: Splashproof NEMA 4 / IP65.

Rear cover: Aluminium-zink metal.
Protection IP55

Field Enclosures Stainless steel SIS2333.
Protection NEMA 4 / IP65.
Cable entry: 4 x dia.19 holes w. PG11 metal glands,
1 x dia 22,5 hole.

Display & control

Display: LCD 2x16 character, 5,5mm w. backlight.
Control: 4-key local keypad or via RS485 com port.
Memory: Battery back-up + Non-volatile FLASH memory.
Set-up: Interactive via local keypad software

Power supply

Standard: 24Vdc, 5W.
Protection: Fuse (internal)
Optional: External 90-250VAC / 24VDC (PW-24).

Connection

Terminal strip: 12 x 2,5 mm² max (AWG 16) for stranded wire (Terminals: 1-6, V+, V-).
11 x 1,5 mm² max (AWG 18) for stranded wire. (Terminals: 21-52).

Input

Load Cell Digital (2) 4- or 6-wire system with sense inputs, 0,3-45mVdc
Closing contact. Printout with zeroset of subtotal.
Speed sensor type S-E-G or NPN prox.switch

Output

Load Cell, Exc. 12Vdc nominal
Max. load: 140 mA (~85 Ω)
Min. load: 1000 Ω
Relays (2 or 4) Dry contact N.O. 24Vdc / 1A.
(Totaliser pulse and programmable functions)
Analog Isolated 4-20mA, max 350 , 12-bit resolution.
(Flowrate)

Communciation port

Port (1): RS485, Modbus RTU, ASCII

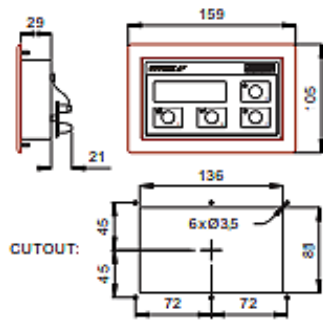
Environmental

Location Indoor/outdoor
Operation -10 to +50 °C
Storage -20 to +70°C

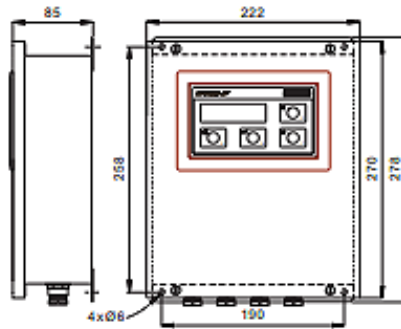
Approvals



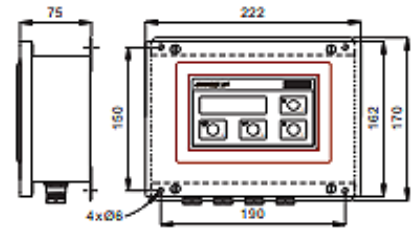
Marking of electrical and electronic equipment in accordance with Directive 2002/96/EC (WEEE)



Panel mount, type -P
weight: 0,5kg



Field enclosure type -W
weight: 3,0kg



Field enclosure type -V
weight: 2,5kg

ORDER INFO

A2-N-2-P -H15-XX*

- System A2,
- Normal Class,
- Panelmounting
- Model H15 beltscale controller

A2-N-2-W -H15-XX*

- System A2,
- Normal Class,
- With enclosure type -W for wall mounting
- Model H15 beltscale controller

A2-N-2-V -H15-XX*

- System A2,
- Normal Class,
- With enclosure type -V for wall mounting
- Model H15 beltscale controller

-XX*

- Language selection: GB or S
Other languages coming later

PW-24

Optional Power supply:

- 90-250VAC/24 VDC 25W
- *Fits inside field enclosure type -V and -W.*

FB-ZZ

Optional fieldbus converters for:

- DIN-rail
- PDP (Profibus)
- CAN (Canopen)
- Etc.

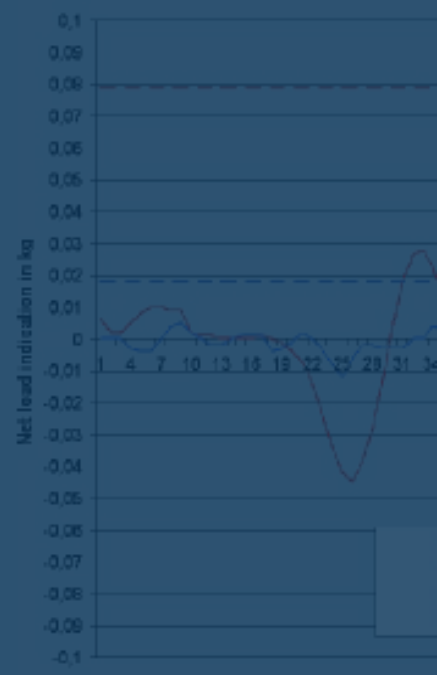
Fits inside field enclosure type -W only.

TB-230

Optional terminal board with 250VAC/3A output relays.

(Direct replacement for existing terminal board)

Weight sampling



OUR COMPANIES

JESMA WEIGHING SOLUTIONS
Helsingørvej 18
DK-7100 Vejle
Tel: +45 75 72 11 00
@: Jesma@jesma.dk

SEG INSTRUMENT
Gjuterivägen 21
SE-168 67 Bromma, Stockholm
Tel: +46 87 64 74 00
@: inform@s-e-g.se

PMW ENGINEERING
Stærkendevej 43A
DK-4000 Roskilde
Tel: +45 46 32 16 50
@: info@pmw-engineering.com

 PART OF JESMA GROUP

www.s-e-g.com

QUESTIONS OR INQUIRIES PLEASE CONTACT

For more information: email us: inform@s-e-g.se or
call us +46 87 64 74 00.
We will help you find the solution suitable for your
requirements.

