

Weigh module M 5-40T

A complete package for load measurement

Weigh module M is a load sensing component in S-E-G weighing solutions. The concept of the M module is patented in a number of countries.

The complete package

A single unit combines a load cell and the installation hardware usually employed. They jointly constitute a single unit ready for insertion under a load carrier. The -M module eliminates the need for stay rods for the load carrier.

Load carriers give rise to disruptive horizontal forces and angular deformations. The weigh module -M balances these forces via roller bearings. Disruptive forces are therefore directly transformed into movements. So no slipping or major friction forces form and therefore **no wear takes place**.

Weigh module M:

- Self-stabilizing and compliant to horizontal forces and movements.
- Prevents the load carrier from tipping by taking up tractive forces such as wind or other external forces.
- Attachment bolts are only needed for tractive forces and inadvertent horizontal forces
- The Load cell can be replaced without removing the entire weigh module from the load carrier.

Available for rated loads from 5-40T

- A complete unit with load cell and built-in hardware
- Stainless steel enclosure for the load cell and shield tube for the cable.
- Delivered ready for installation

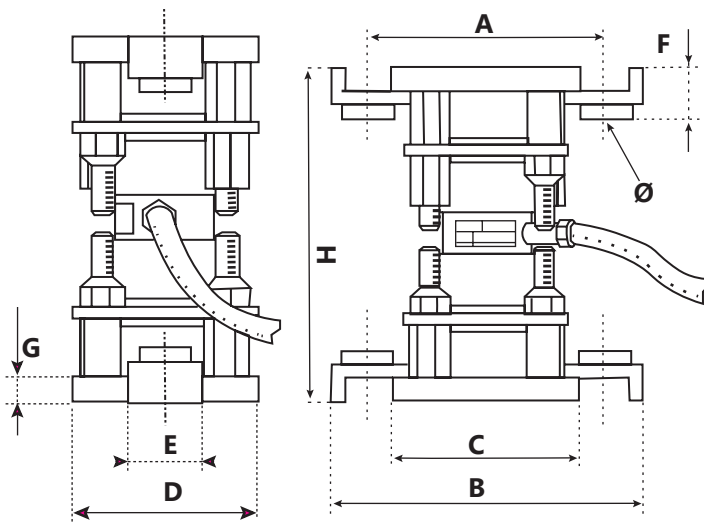


All S-E-G load cells are:

- Made in Sweden
- High Quality and have a long life span
- With a 5 year warranty

Dimensions

Measurements are in mm



Capacity	5T	10T
A	165	
B	225	
C	140	
D	125	
E	50	
F	30	
G	16	
H	242	
Ø	17	

For information regarding function and mounting, refer to installation guide S31-20.

The weigh module is patented with the following no:

- EP nr. 0 327 517
- USA nr. 4,939,938
- S nr. 460 310

Technical data

Mechanical data

Load cell designations:		M5	M10	M20	M40
Nominal Load (NL)	t	5	10	20	40
Maximal Load	t	8	12	32	50
Max. allowed load - transient without resulting persistent error	t	10	15	40	60
Breaking load	t	40	40	100	100
Mechanical deformation for NL, approx.	mm	0,1	0,2	0,1	0,2
Max. allowed horizontal move between upper/lower section.	mm	+/-5	+/-5	+/-7	+/-7
Restorative horizontal load in relation to simultaneous load	%	1,5	1,5	1	1
Max. allowed transient tractive load	t	2,5	2,5	10	10
Weight with 7 m cable	kg	13,6	14,6	46,5	47,2

Electrical data

Nominal output	mV/v	1
Calibration tolerance in relation to current load	%	±0,1
Zero error in relation to nominal output signal	%	± 1
Combined error (hysteresis and non-linearity) in relation to NL	%	± 0,03
Repeatability error in relation to NL	%	± 0,01
Creep after 30 min. at NL	%	± 0,03
Creep after 8 hours at NL	%	±0,05
Influence of temperature on zero point in relation to NL	%	±0,05/10K
Influence of temperature on measuring range in relation to NL	%	±0,04/10K
Compensated temperatur range	°C	-10..+50
Max. operating temperatur range	°C	70
Input resistance	W	430 ±10
Output resistance	W	430 ± 0,4
Recommended input voltage	V	15
Max. input voltage	V	21
Protective class		IEC IP67
Cable: length 7m. Markings: input: +yellow (1,01), -blue (4,04), output: +red (2), -green (3)		