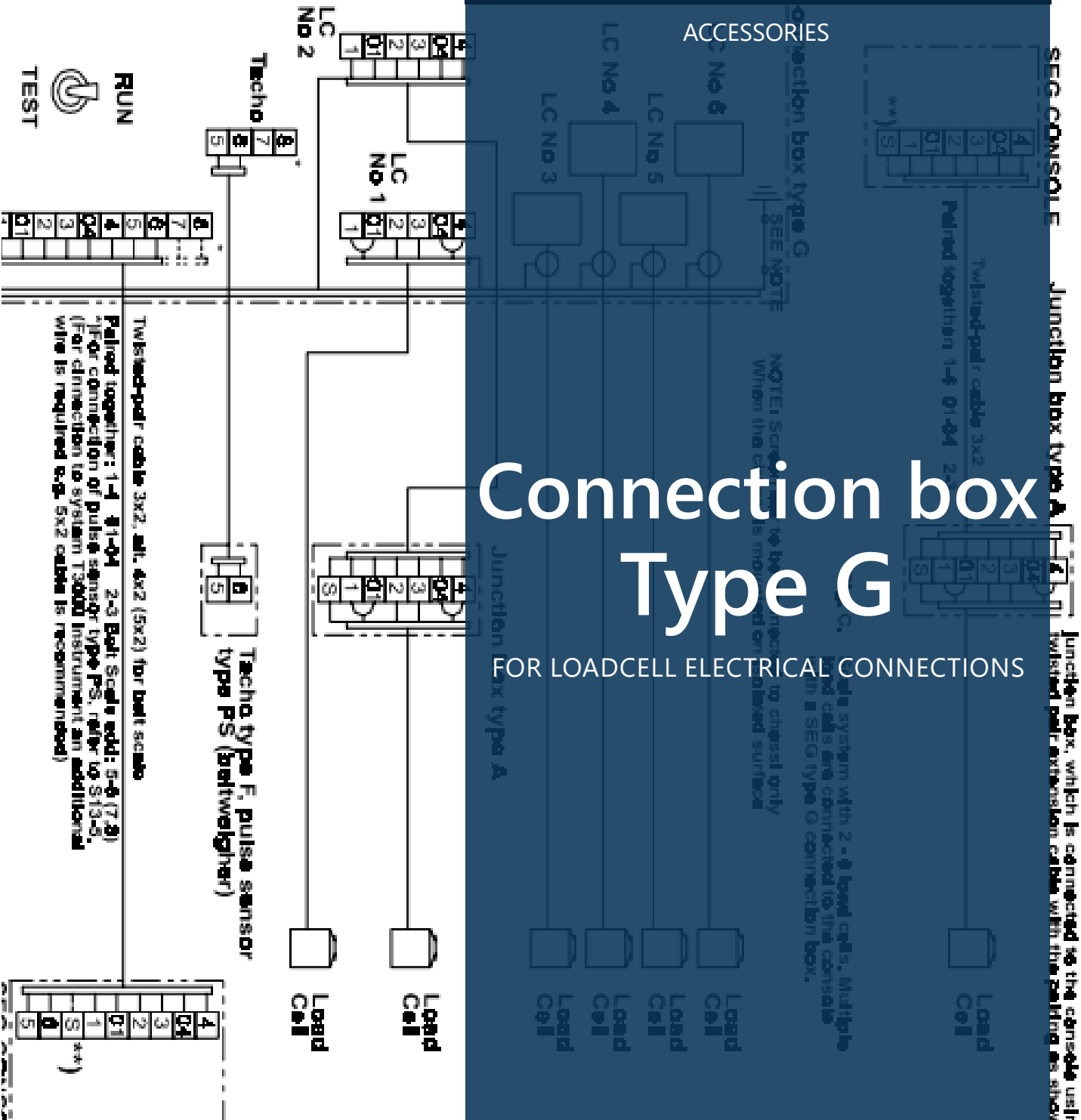


ACCESSORIES



# Connection box Type G

FOR LOADCELL ELECTRICAL CONNECTIONS

Fig. 5.

Scale system with 1 load cell with the load cell at a distance from the console. The fixed load cell cable is connected to the console. The fixed load cell cable is connected to the console via the Junction Box, which is connected to the console via a twisted pair extension cable with the pairing as shown.

# ACCESORIES FOR CONNECTION

## FOR LOADCELL ELECTRICAL CONNECTION

Electrical connection of S-E-G load cells is according to the circuit diagram for the respective device. The following connection accessories can be used with S.E.G. scale systems.

### TYPE G CONNECTION BOX

The type G connection box is used for connecting load cells to a single cable which is connected, in turn, to the scale system's control console. Up to 6 load cells can be interconnected. The load cells are connected direct to control console or via an extension cable as shown below.

The tachometer in belt scales is also connected to the joint cable. The connection box then contains a switch for tachometer signal on/off. The switch is used to simplify measuring of belt length at start-up of the belt scale. A twisted pair cable with 3x2 conductors (4x2 conductors for belt scales) is connected to the control console. All connections in the box are to screw-type terminal strips and with shields to a common ground bar.

*The ground bar is only to be grounded when the connection box is installed on an **isolated** surface.*

## ORDERING CODE FOR TYPE G CONNECTION BOX

The type G connection box is available in versions for 2, 4 or 6 load cells. The enclosure is in stainless steel (AISI 304) and comply in respects of protection to IP65

Type:

- |              |  |
|--------------|--|
| <b>G-2-B</b> | For connection of up to 2 load cells cables and 1 tachometer cable. With switch for belt length measurement. |
| <b>G-4-B</b> | For connection of up to 4 load cells cables and 1 tachometer cable. With switch for belt length measurement  |
| <b>G-4</b>   | For connection of up to 4 load cell cables.  |
| <b>G-6</b>   | For connection of up to 6 load cell cables.  |

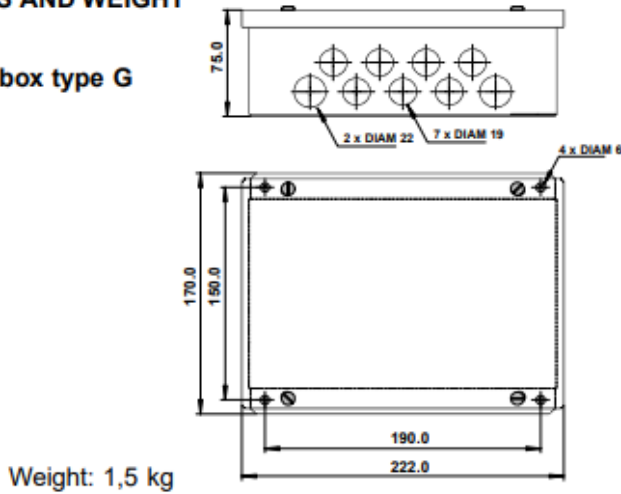
**The box and attached cable is coded:**

- A-1 Terminal box only.
- A-1-14 Terminal box A-1 with 4m cable in protective sleeving with nipple

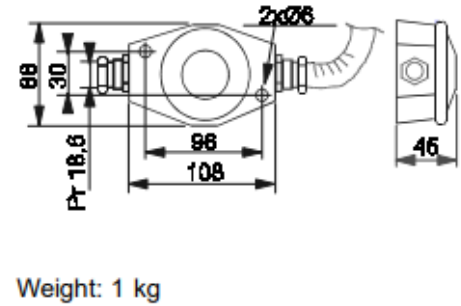
# DIMENSIONS AND WEIGHT

## DIMENSIONS AND WEIGHT

**Connection box type G**



**Terminal box type A**



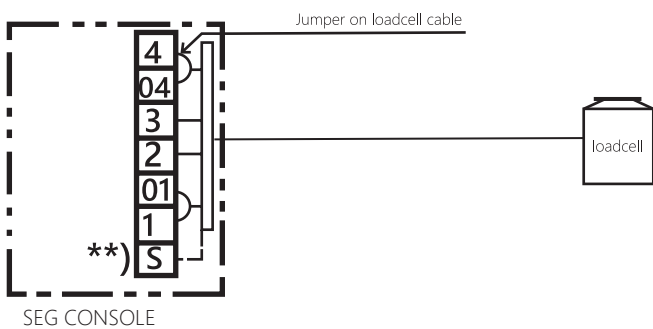
All lead wires entering the connection box is connected to screw terminals.  
 The grounding of the cable shields is made to the common isolated ground bar.  
 The ground bar may be connected to the chassis only when the connection box is installed on an isolated surface.

# DRAWINGS

## WIRE MARKINGS ON LOADCELL CABLE.

INPUT: +YELLOW [1] -BLUE [4] OUTPUT: +RED [2] -GREEN [3]

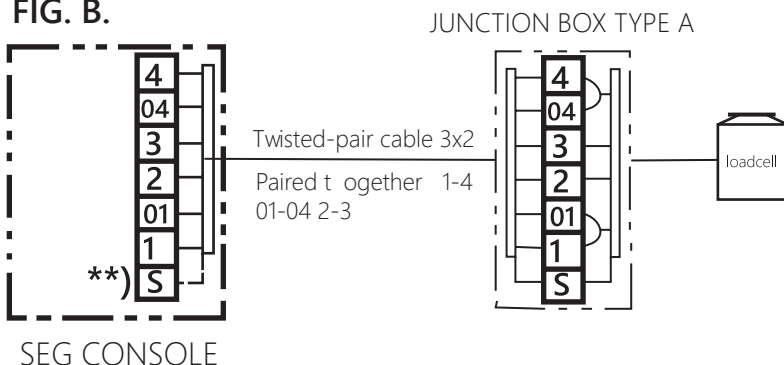
**FIG. A.**



### DESCRIPTION

Scale system with 1 loadcell with load cell located next to the control console. The fixed load cell cable is connected directly to the console. Jumpers are connected at the terminals 1 to 01 to 04.

**FIG. B.**



### DESCRIPTION

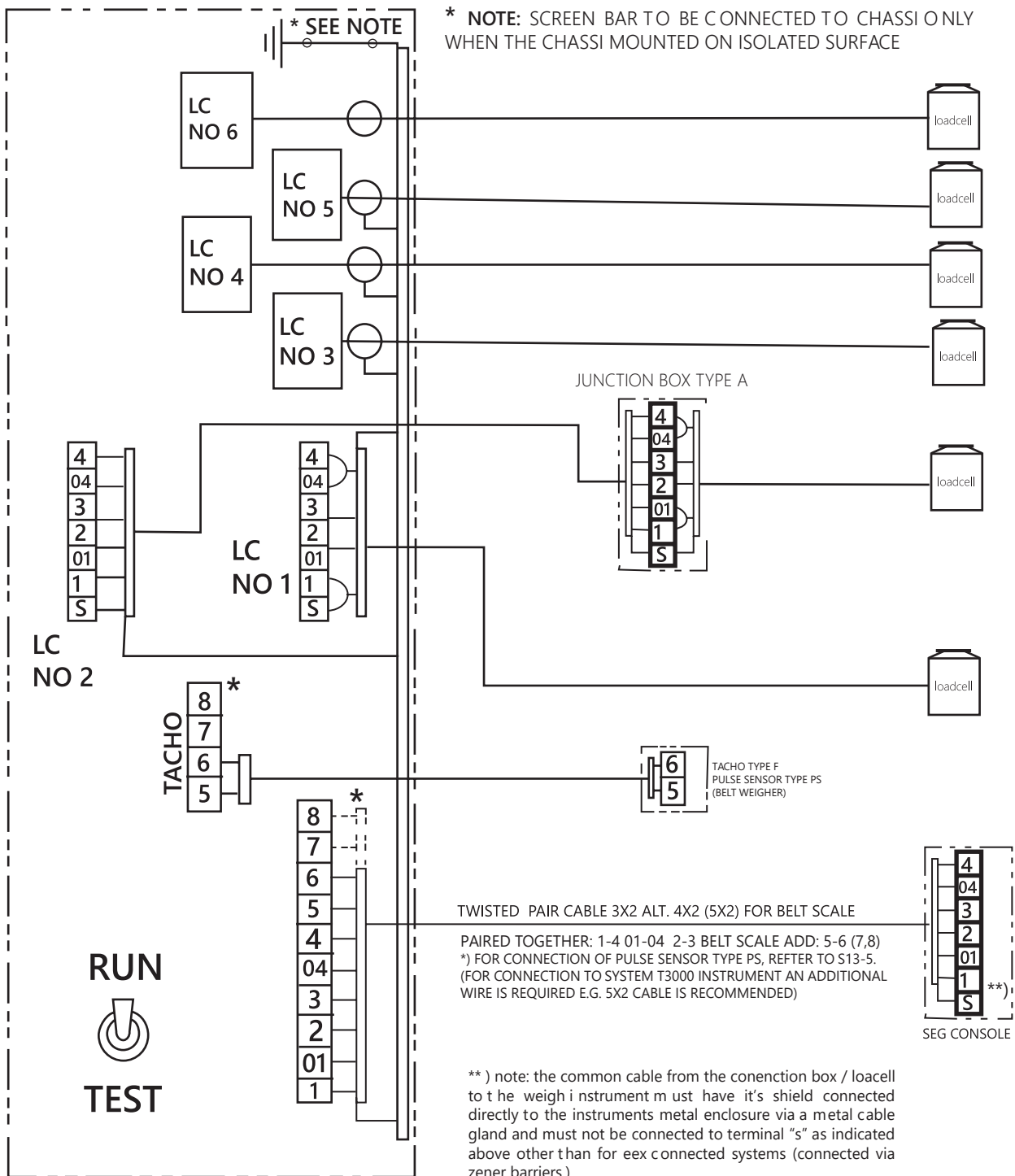
Scale system with 1 loadcell with the loadcell at a distance from the console. The fixed load cell cable is connected to a type A junction box, which is connected to the console using a twisted pair extension cable with pairing as shown.

# DRAWINGS

## DESCRIPTION

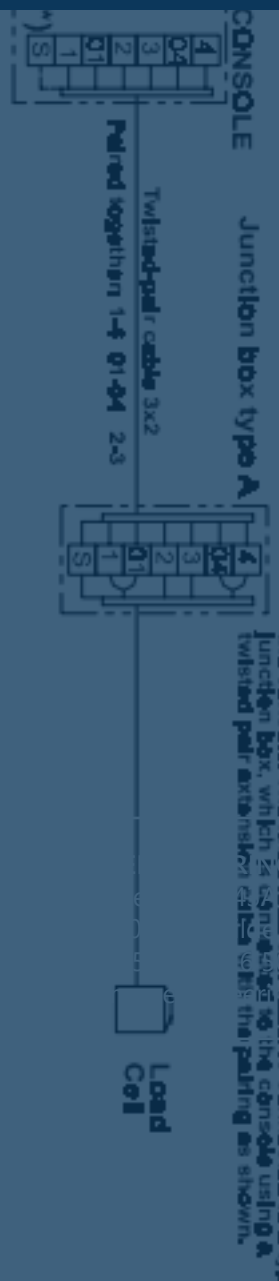
Scale system with 2-6 loadcells. Multiple loadcells are connected to the console with a SEG type G connection box.

**FIG. C.**  
CONNECTION BOX TYPE G





**Fig. A.** Scale system with 1 load cell with load cell located near the control console. The fixed load cell cable is connected directly to the console. Jumpers are connected at the terminals 1 to 01 and 4 to 04.



**Fig. B.** Scale system with 1 load cell with the load cell at a distance from the console. The fixed load cell cable is connected to a type junction box, which is equipped with the console using a twisted pair extension cable with the pairing as shown.



**Fig. C.** Scale system with 2 - 8 load cells. Multiple load cells are connected to the console with a SEG type G connection box.



**Junction box type A**



**Junction box type G**



**Tachometer type PS (balistischer)**

Twisted-pair cable 3x2, cat. 4x2 (5x2) for Bart scale  
 Paired together: 1-4 01-04 2-3 Bart Scale odd: 5-8 (7-8)  
 If for connection of pulse sensor type PS, refer to S13-5.  
 (For connection to system T3000 instrument an additional wire is required e.g. 5x2 cable is recommended)

**QUESTIONS OR INQUIRIES  
PLEASE CONTACT**

For more information: email us: [inform@s-e-g.se](mailto:inform@s-e-g.se) or call us +46 87 64 74 00.  
We will help you find the solution suitable for your requirements.

